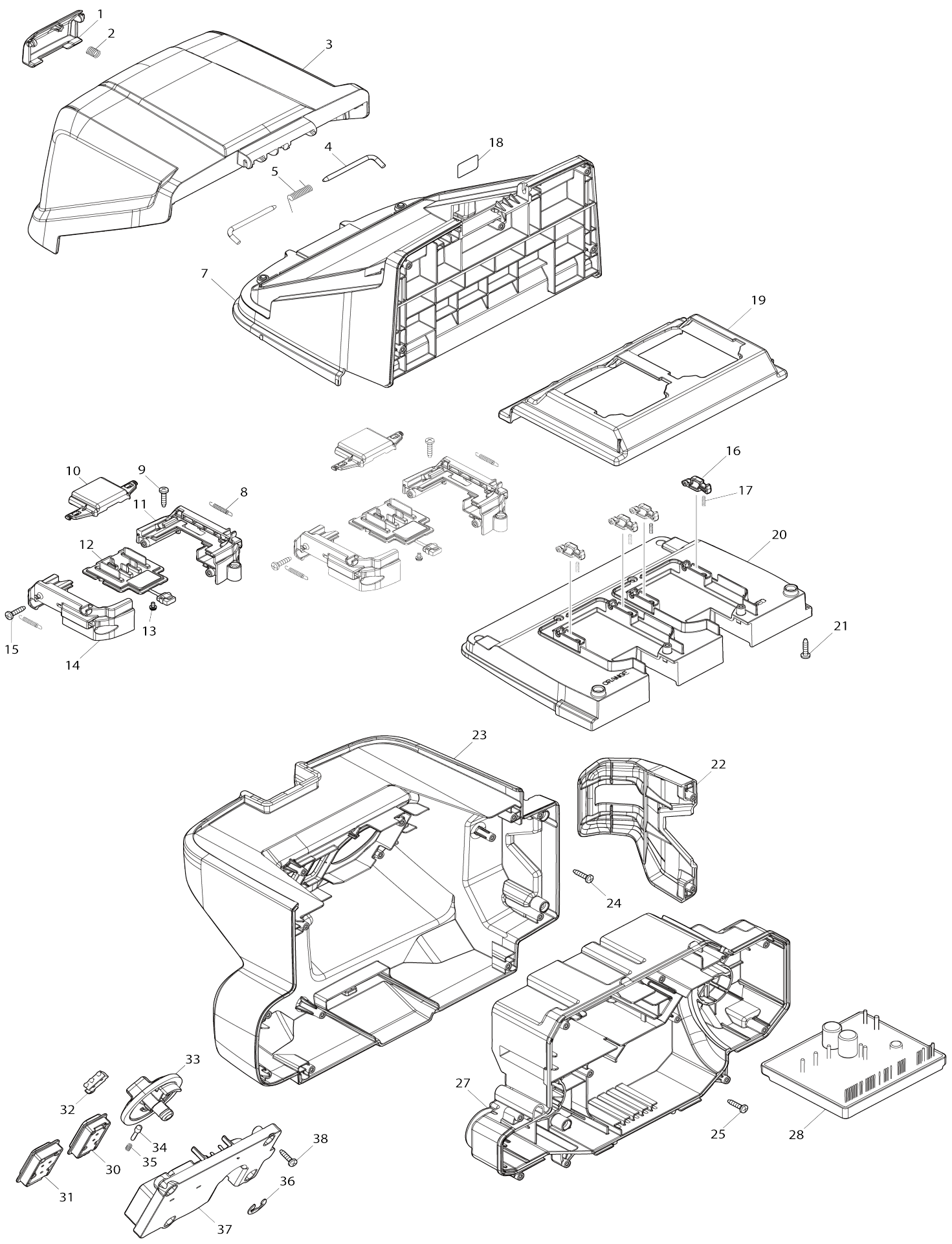
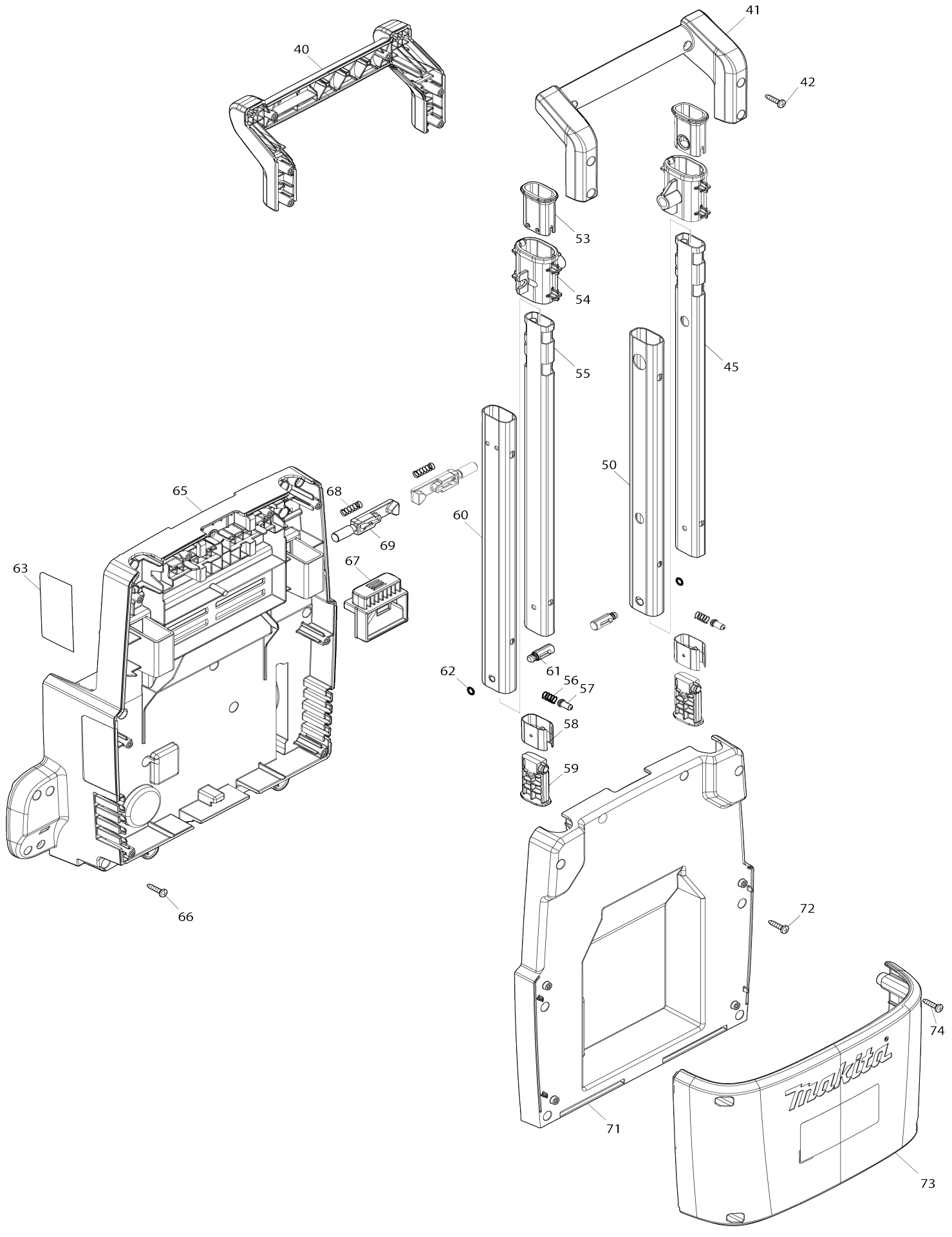


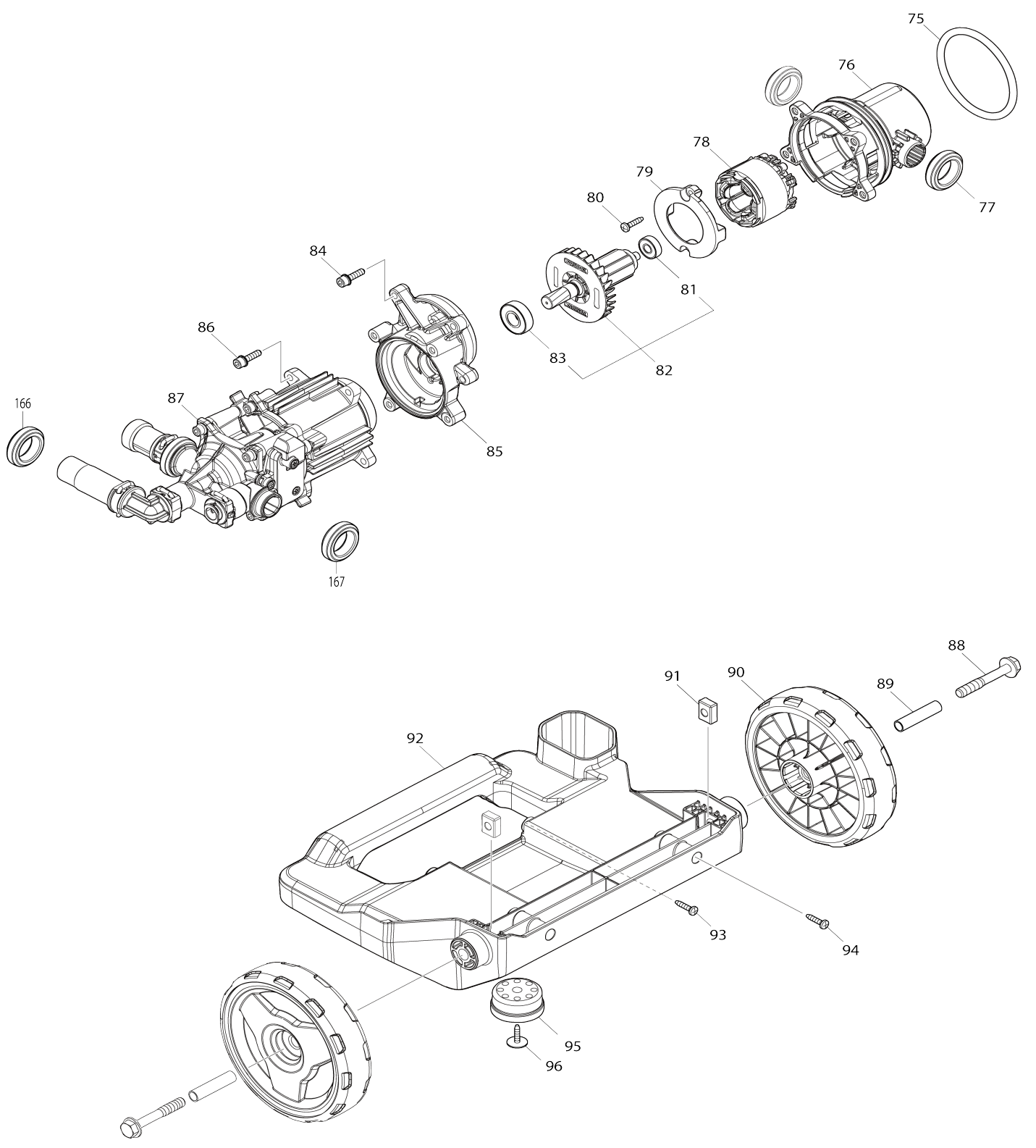
Model No.HW001G CORDLESS HIGH PRESSURE WASHER



Model No.HW001G CORDLESS HIGH PRESSURE WASHER

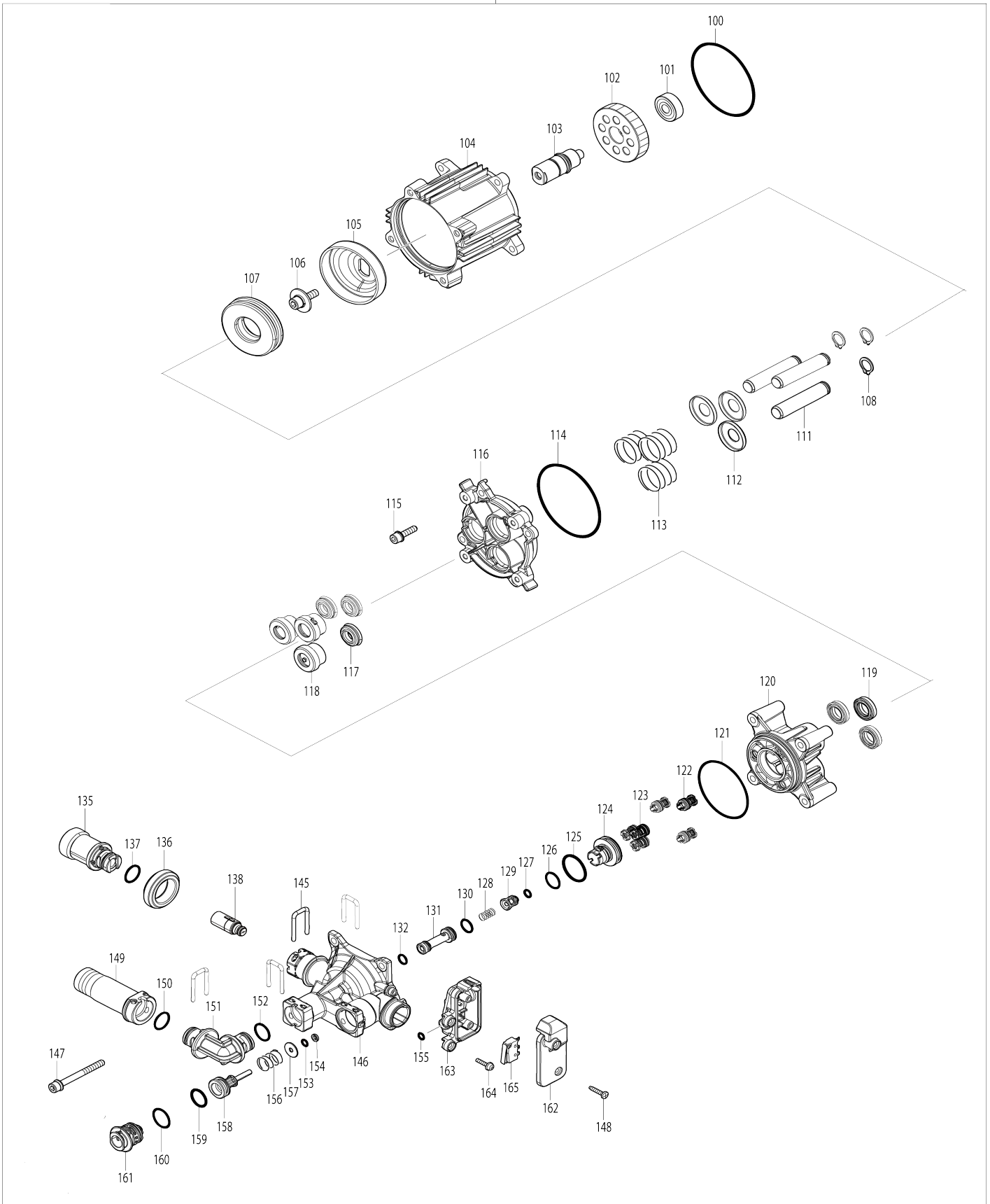


Model No.HW001G CORDLESS HIGH PRESSURE WASHER



Model No.HW001G CORDLESS HIGH PRESSURE WASHER

87



Model No.HW001G CORDLESS HIGH PRESSURE WASHER

| Item No. | Parts No. | Description | Interchangability | Q'ty | New/Old | Note1 | Note2 |
|----------|-----------|-----------------------------|-------------------|------|---------|-------|-------|
| 001 | 413T26-7 | LOCK LEVER | | 1 | | | |
| 002 | 232821-4 | COMPRESSION SPRING 6 | | 1 | | | |
| 003 | 413T25-9 | BATTERY BOX COVER | | 1 | | | |
| 004 | 327C24-2 | ROD 4 | | 2 | | | |
| 005 | 232813-3 | TORSION SPRING 5 | | 1 | | | |
| 007 | 137021-0 | BATTERY BOX ASSEMBLY | | 1 | | | |
| C10 | 263005-3 | RUBBER PIN 6 | | 2 | | | |
| 008 | 232722-6 | TENSION SPRING 4 | | 4 | | | |
| 009 | 266326-2 | TAPPING SCREW 4X18 | | 4 | | | |
| 010 | 413B40-5 | TERMINAL COVER | | 2 | | | |
| 011 | 183Y95-9 | TERMINAL CASE SET | | 2 | | | |
| C10 | 263005-3 | RUBBER PIN 6 | | 4 | | | |
| 011 | | INC. 14 | | | | | |
| 012 | 632T08-2 | TERMINAL UNIT | | 2 | * | | |
| 012-1 | 632W79-7 | TERMINAL UNIT | < | 2 | | | |
| 013 | 652031-1 | PAN HEAD SCREW M3X6 | | 4 | | | |
| 014 | 183Y95-9 | TERMINAL CASE SET | | 2 | | | |
| C10 | 263005-3 | RUBBER PIN 6 | | 4 | | | |
| 014 | | INC. 11 | | | | | |
| 015 | 266326-2 | TAPPING SCREW 4X18 | | 4 | | | |
| 016 | 413B41-3 | LOCK LEVER | | 4 | | | |
| 017 | 232472-3 | COMPRESSION SPRING 2 | | 4 | | | |
| 018 | 8141C2-5 | HW001G SERIAL NO. LABEL | | 1 | | | |
| 019 | 413T33-0 | TERMINAL PLATE COVER | | 1 | | | |
| 020 | 413T30-6 | TERMINAL PLATE | | 1 | | | |
| 021 | 266326-2 | TAPPING SCREW 4X18 | | 4 | | | |
| 022 | 413T29-1 | ACCESSORY HOLDER S | | 1 | | | |
| 023 | 137026-0 | FRONT HOUSING ASS'Y | | 1 | | | |
| C10 | 8071J7-1 | INDICATION LABEL | | 1 | | | |
| C20 | 8025F3-0 | XGT LOGO LABEL | | 1 | | | |
| 024 | 266326-2 | TAPPING SCREW 4X18 | | 2 | | | |
| 025 | 266326-2 | TAPPING SCREW 4X18 | | 3 | | | |
| 027 | 137019-7 | INNER HOUSING ASSEMBLY | | 1 | | | |
| C10 | 263005-3 | RUBBER PIN 6 | | 1 | | | |
| 028 | 620M65-0 | CONTROLLER | | 1 | | | |
| 030 | 620M67-6 | SWITCH CIRCUIT COMPLETE | | 1 | | | |
| C10 | 539267-8 | SWITCH PLATE ASS'Y | | 1 | | | |
| C20 | 266490-9 | TAPPING SCREW PT 2X6 | | 3 | | | |
| 031 | 620M68-4 | INDICATION CIRCUIT COMPLETE | | 1 | | | |
| C10 | 136981-3 | SWITCH PLATE ASS'Y | | 1 | | | |
| C20 | 266490-9 | TAPPING SCREW PT 2X6 | | 3 | | | |
| 032 | 632V07-6 | SWITCH UNIT | | 1 | | | |
| 033 | 413T27-5 | SWITCH DIAL 55 | | 1 | | | |
| 034 | 413U71-8 | SWITCH CAM | | 1 | | | |
| 035 | 232819-1 | COMPRESSION SPRING 3 | | 1 | | | |
| 036 | 961016-9 | STOP RING E-10 | | 1 | | | |
| 037 | 413T37-2 | SWITCH PANEL | | 1 | | | |
| | | | | | | | |

| | | | | | | |
|-----|----------|-----------------------------|--|----|--|--|
| 038 | 266326-2 | TAPPING SCREW 4X18 | | 4 | | |
| 040 | 1830A1-1 | GRIP SET | | 1 | | |
| 040 | | INC. 41 | | | | |
| 041 | 1830A1-1 | GRIP SET | | 1 | | |
| 041 | | INC. 40 | | | | |
| 042 | 266326-2 | TAPPING SCREW 4X18 | | 6 | | |
| 045 | 327C41-2 | UPPER PIPE R | | 1 | | |
| 050 | 327C43-8 | LOWER PIPE R | | 1 | | |
| 053 | 413T20-9 | UPPER STOPPER | | 2 | | |
| 054 | 413T19-4 | PIPE HOLDER | | 2 | | |
| 055 | 327C42-0 | UPPER PIPE L | | 1 | | |
| 056 | 232820-6 | COMPRESSION SPRING 6 | | 2 | | |
| 057 | 327C81-0 | LOCK PIN 5 | | 2 | | |
| 058 | 413T22-5 | UPPER PIPE STOPPER | | 2 | | |
| 059 | 413T21-7 | LOWER STOPPER | | 2 | | |
| 060 | 327C44-6 | LOWER PIPE L | | 1 | | |
| 061 | 413T38-0 | STOPPER PIN | | 2 | | |
| 062 | 213005-3 | O RING 5 | | 2 | | |
| 063 | 8141C0-9 | HW001G NAME PLATE | | 1 | | |
| 065 | 137020-2 | REAR HOUSING ASSEMBLY | | 1 | | |
| C10 | 263005-3 | RUBBER PIN 6 | | 1 | | |
| 066 | 266326-2 | TAPPING SCREW 4X18 | | 23 | | |
| 067 | 413T18-6 | LOCK BUTTON | | 1 | | |
| 068 | 233068-3 | COMPRESSION SPRING 6 | | 2 | | |
| 069 | 413T34-8 | LOCK PIN | | 2 | | |
| 071 | 413T15-2 | REAR COVER | | 1 | | |
| 072 | 266326-2 | TAPPING SCREW 4X18 | | 8 | | |
| 073 | 141T09-4 | ACCESSORY HOLDER R COMPLETE | | 1 | | |
| C10 | 809R02-9 | CAUTION LABEL | | 1 | | |
| 074 | 266326-2 | TAPPING SCREW 4X18 | | 4 | | |
| 075 | 422250-1 | RECEIVE RUBBER | | 1 | | |
| 076 | 458326-8 | MOTOR HOUSING | | 1 | | |
| 077 | 422409-0 | RUBBER CUSHION | | 2 | | |
| 078 | 629C40-3 | STATOR | | 1 | | |
| 079 | 458327-6 | BAFFLE PLATE | | 1 | | |
| 080 | 266326-2 | TAPPING SCREW 4X18 | | 2 | | |
| 081 | 210062-2 | BALL BEARING 607ZZ | | 1 | | |
| 082 | 519830-3 | ROTOR ASS'Y | | 1 | | |
| 082 | | INC. 81,83 | | | | |
| 083 | 211131-2 | BALL BEARING 6001DDW | | 1 | | |
| 084 | 922233-6 | H.S.H.BOLT M5X20 WITH WR | | 4 | | |
| 085 | 161823-2 | GEAR HOUSING COMPLETE | | 1 | | |
| C10 | 263002-9 | RUBBER PIN 4 | | 2 | | |
| 086 | 922233-6 | H.S.H.BOLT M5X20 WITH WR | | 4 | | |
| 087 | 122F16-2 | PUMP ASSEMBLY | | 1 | | |
| 087 | | INC.100-138,145-165 | | | | |
| 088 | 265D26-5 | HEX. BOLT M8X55 WITH G | | 2 | | |
| 089 | 257A23-7 | SLEEVE 8 | | 2 | | |
| 090 | 413T32-2 | WHEEL 140 | | 2 | | |
| 091 | 327C28-4 | PLATE | | 2 | | |
| 092 | 413T23-3 | BOTTOM PLATE | | 1 | | |

| | | | | | | |
|-----|----------|----------------------------|--|---|--|--|
| 093 | 266326-2 | TAPPING SCREW 4X18 | | 2 | | |
| 094 | 266326-2 | TAPPING SCREW 4X18 | | 2 | | |
| 095 | 422A59-7 | FOOT RUBBER | | 3 | | |
| 096 | 252274-1 | TAPPING SCREW 4X18 WITH W | | 3 | | |
| 100 | 213706-3 | O RING 67 | | 1 | | |
| 101 | 210032-1 | BALL BEARING 628DDW | | 1 | | |
| 102 | 221597-8 | HELICAL GEAR 47 | | 1 | | |
| 103 | 327076-5 | SPINDLE | | 1 | | |
| 104 | 161821-6 | PUMP HOUSING COMPLETE | | 1 | | |
| 105 | 347B66-4 | WOBBLE PLATE 8.5 | | 1 | | |
| 106 | 265D25-7 | H.S.H.BOLT M6X20 WITH W | | 1 | | |
| 107 | 210275-5 | THRUST BALL BEARING 2454 | | 1 | | |
| 108 | 961052-5 | RETAINING RING (EXT) S-12 | | 3 | | |
| 111 | 327075-7 | PISTON PIN 12 | | 3 | | |
| 112 | 347340-8 | SPRING RETAINER C | | 3 | | |
| 113 | 232434-1 | COMPRESSION SPRING 22 | | 3 | | |
| 114 | 213706-3 | O RING 67 | | 1 | | |
| 115 | 922233-6 | H.S.H.BOLT M5X20 WITH WR | | 4 | | |
| 116 | 319670-7 | PISTON SYLINDER | | 1 | | |
| 117 | 213861-1 | OIL SEAL 12 | | 3 | | |
| 118 | 413T06-3 | SEAL HOLDER 12 | | 3 | | |
| 119 | 422A58-9 | PACKING 12 | | 3 | | |
| 120 | 312E45-9 | PISTON HOUSING | | 1 | | |
| 121 | 213656-2 | O RING 53 | | 1 | | |
| 122 | 141S01-4 | VALVE COMPLETE B | | 3 | | |
| 123 | 141S00-6 | VALVE COMPLETE A | | 3 | | |
| 124 | 413T11-0 | VALVE HOLDER | | 1 | | |
| 125 | 213A49-9 | O-RING 22 | | 1 | | |
| 126 | 213238-0 | O-RING 13 | | 1 | | |
| 127 | 213005-3 | O RING 5 | | 1 | | |
| 128 | 232433-3 | COMPRESSION SPRING 6 | | 1 | | |
| 129 | 458322-6 | SPRING RETAINER A | | 1 | | |
| 130 | 213055-8 | O RING 10 | | 1 | | |
| 131 | 413T10-2 | ADJUST HOLDER | | 1 | | |
| 132 | 213011-8 | O RING 7 | | 1 | | |
| 135 | 413T05-5 | INFLOW JOINT | | 1 | | |
| 136 | 422409-0 | RUBBER CUSHION | | 1 | | |
| 137 | 213176-6 | O RING 14 | | 1 | | |
| 138 | 137025-2 | RELIEF VALVE ASS'Y | | 1 | | |
| C10 | 213005-3 | O RING 5 | | 1 | | |
| 145 | 327C22-6 | U TYPE PIN 3 | | 4 | | |
| 146 | 312E46-7 | PUMP HEAD | | 1 | | |
| 147 | 265A33-0 | H.S.H.BOLT M5X50 WITH WR | | 4 | | |
| 148 | 266130-9 | TAPPING SCREW BIND PT 3X16 | | 2 | | |
| 149 | 327C25-0 | OUTFLOW JOINT | | 1 | | |
| 150 | 213176-6 | O RING 14 | | 1 | | |
| 151 | 413T12-8 | JOINT | | 1 | | |
| 152 | 213176-6 | O RING 14 | | 1 | | |
| 153 | 213A64-3 | O-RING 4 | | 1 | | |
| 154 | 413T07-1 | POLYACETAL WASHER 4B | | 1 | | |
| 155 | 213A64-3 | O-RING 4 | | 1 | | |
| 156 | 232429-4 | COMPRESSION SPRING 11 | | 1 | | |

| | | | | | | |
|-----|----------|---------------------------------|--|---|--|--|
| 157 | 413T08-9 | POLYACETAL WASHER 4A | | 1 | | |
| 158 | 413T04-7 | PRESSURE PIN | | 1 | | |
| 159 | 213922-7 | O-RING 14 | | 1 | | |
| 160 | 213223-3 | O RING 16 | | 1 | | |
| 161 | 458310-3 | PUMP HEAD CAP | | 1 | | |
| 162 | 183Y99-1 | SWITCH BOX SET | | 1 | | |
| 162 | | INC. 163 | | | | |
| 163 | 183Y99-1 | SWITCH BOX SET | | 1 | | |
| 163 | | INC. 162 | | | | |
| 164 | 911028-2 | PAN HEAD SCREW M3X16 | | 2 | | |
| 165 | 632V08-4 | SWITCH UNIT | | 1 | | |
| 166 | 422409-0 | RUBBER CUSHION | | 1 | | |
| 167 | 422409-0 | RUBBER CUSHION | | 1 | | |
| A01 | 1910R1-6 | HOSE ASSEMBLY SET | | 1 | | |
| A02 | 1910R2-4 | STRAINER ASSEMBLY SET | | 1 | | |
| A03 | 197842-2 | TRIGGER GUN SET | | 1 | | |
| A04 | 197824-4 | CYCLONE JET NOZZLE SET | | 1 | | |
| A05 | 126766-5 | HIGH PRESSURE HOSE 5M | | 1 | | |
| A06 | 191U84-6 | EXTENSION SET | | 1 | | |
| A07 | 1912Y4-1 | VARIOSPRAY NOZZLE SET | | 1 | | |
| A08 | 122F22-7 | ABSORPTION CONNECTOR G3/4 | | 1 | | |
| A09 | 197879-9 | CLEANER PIN SET | | 1 | | |
| E01 | 688163-8 | LINE FILTER | | 1 | | |
| F06 | 1912Y5-9 | VARIOSPRAY NOZZLE EXT. SET | | 1 | | |
| F08 | 197822-8 | VARIABLE NOZZLE SET | | 1 | | |
| F09 | 197824-4 | CYCLONE JET NOZZLE SET | | 1 | | |
| F10 | 197828-6 | WASH BRUSH SET (VERTICAL FOR M) | | 1 | | |
| F14 | 197842-2 | TRIGGER GUN SET | | 1 | | |
| F20 | 197864-2 | CYCLONE GUARD SET | | 1 | | |
| F21 | 197867-6 | TWIST PREVENTION JOINT SET | | 1 | | |
| F23 | 197873-1 | SELF-SUCTION HOSE SET | | 1 | | |
| F24 | 197879-9 | CLEANER PIN SET | | 1 | | |
| F25 | 197883-8 | ONE TOUCH JOINT SET | | 1 | | |
| F27 | 1912Y2-5 | FOAM NOZZLE SET | | 1 | | |

Please state Parts No. when your order.

Print Date 06/17/2025